

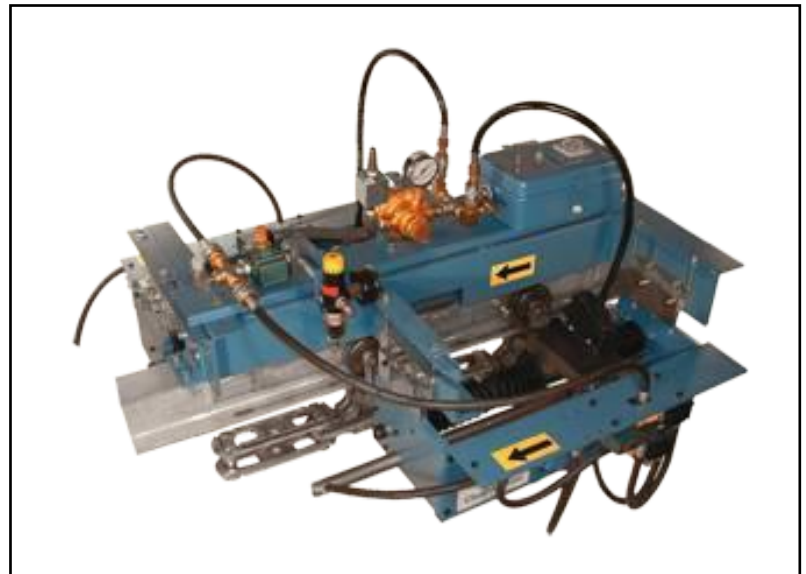


OP-201 Conveyor Sealed Power Trolley Wheel Lubricator

A system designed for more productivity and less downtime. Works while your conveyors are in normal operation.

Features/Benefits

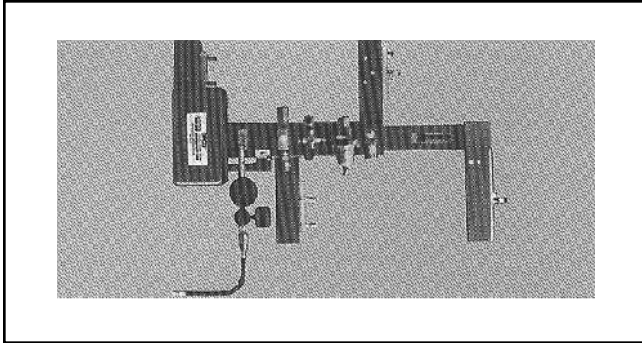
- The OP-201 system lubricates sealed power trolley wheels while the conveyor is running under normal conditions
- Reduces downtime and manual labor operations in lubricating conveyor sealed power trolley wheels
- Properly lubricated wheels can extend the life of conveyor components
- Eliminates surging caused by non-lubricated and worn wheels, so product can be spaced closer, increasing productivity
- Conveyor runs smoother, keeps product from swaying, reducing possibility of injury on the line
- Helps reduce drive power requirements
- Less waste. A metered amount of lubricant is cleanly and precisely injected into wheels
- The right lubrication system results in a clean operation—and saves you substantial amounts of time, work and money
- Overhead or inverted conveyors



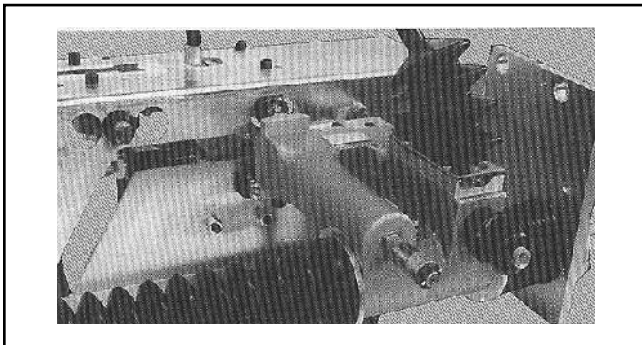
SPECIFICATIONS	
Lubricant	Oil: 22 cST@40°C and higher; Grease up to and including NLGI No. 2. Lubricants with solid additives must be colloidal and < 5 Microns
Shot Volume	0.025 cu.in. per coupler
Lubricant Pump	Pneumatic 50:1 lubricant supply pump w/cover and follower plate for 5 gal, standard; 20 gal, optional; 55 gal, optional; 30 liter, optional; 50 liter, optional
Input Power	110 VAC, 60Hz, standard; 110 VAC, 50Hz, optional; 220 VAC, 60Hz, optional; 220 VAC, 50Hz, optional
Plant Air Pressure Required	80 psi, minimum
Ambient Temperature	60°F to 120°F (16°C to 59°C)
Dimensions	Envelope size: 38.5in L x 34in W x 34in H from bottom of hoses to top of open control enclosure
Weight	Upper frame: 60 lbs; Trolley assembly: 30 lbs each
Shipping Weight	180 lbs (81.6 kg)
Conveyor Speed	Nominal range, 10 to 60 ft/min, range may vary depending on wheel diameter, wheel spacing and conveyor speed, consult OPCO for details

OP-201 Assemblies

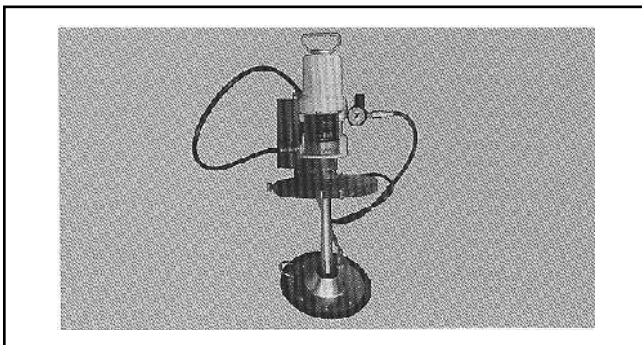
The OP-201 system consists of a mounting frame assembly, two trolley lubricating assemblies—right and left-hand - and a lubricant supply pump assembly.



Mounting Frame Assembly – lubricant filter, pressure regulator, airline filter/regulator/ lubricator, electrical control system, mounting brackets for trolley assemblies.



Trolley Assemblies – lubricant injector (coupler), trolley wheel locator and control to synchronize lubricator operation with conveyor movement.



Pump Assembly – 50:1 pneumatically operated pump, container cover and follower plate, air inlet and grease outlet hoses, and lube supply fault assembly.

OP-201 Operation

The OP-201 system is an automated, pneumatically operated lubricator designed to inject a metered amount of lubricant (grease or oil) into trolley wheels of an overhead or inverted conveyor.

Lubrication takes place during normal conveyor operation. Duration and frequency of the lube cycle can be manually controlled or electrically controlled by a timer, an electric counter, or other electrical control. Trolley wheels can be unevenly spaced.

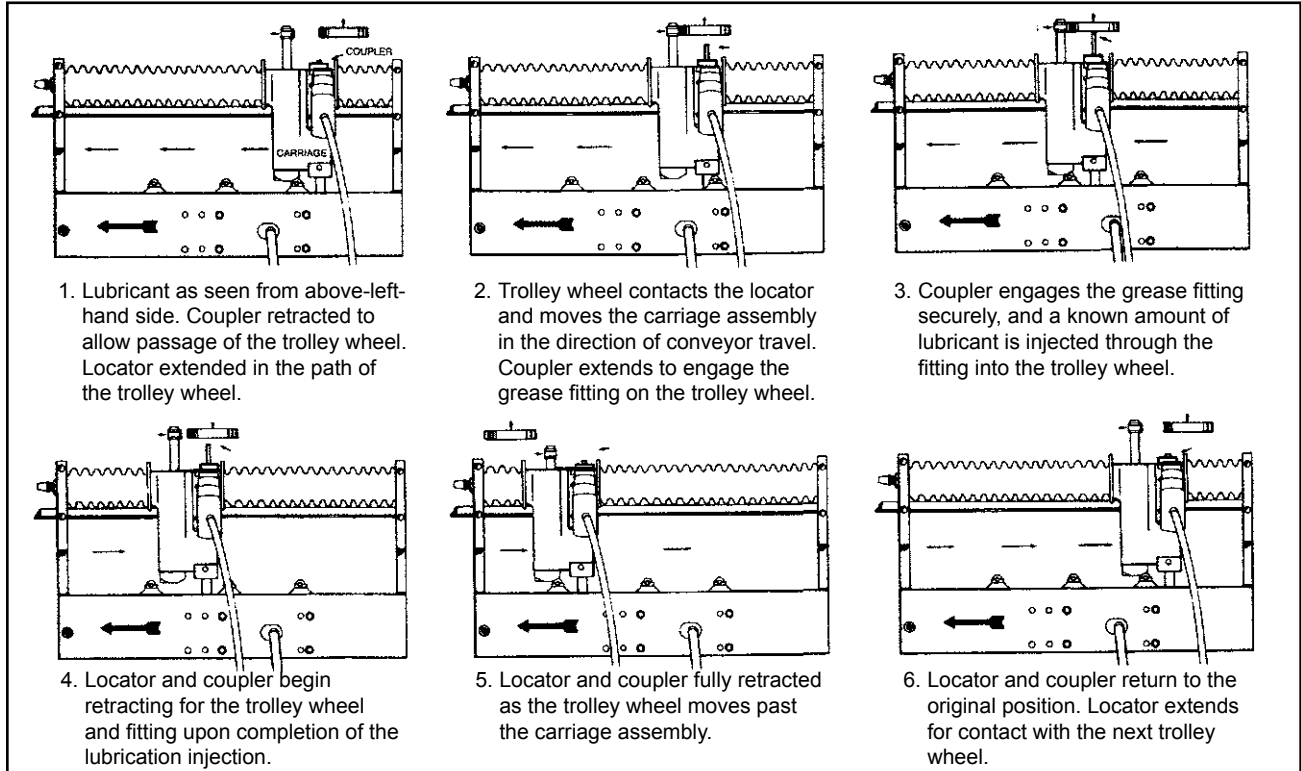
Standard Components

- Airline preparation equipment—airline filter/regulator with gauge and airline oiler
- Lubricant supply pump—pneumatic 50:1 lubricant supply pump with cover and follower plate for 35# (5 gal.) pail
- Lubricant filter—with removable element for cleaning or replacement
- Protective bellows—protect areas subject to increased wear due to contamination by abrasive materials in the atmosphere
- Lube supply fault indicator, output contact and shut-off circuit

Optional Equipment

- ChainMaster Lubricator Controller for precise lube cycle frequency control
- 12-hour timer for manual-on and automatic-off operation. System shuts off automatically at the end of the lube cycle
- 1000-hour repeat cycle timer with cycle progress display
- PC interface relay and 3-position switch
- Additional mounting frames—complete with controls. Available for additional conveyors that are the same size. Trolley assemblies can be moved from one conveyor to another for portable convenience

Sequence of Operation



Conveyor Travel ← Carriage Travel →

Technical Assistance

Customized Technical Assistance Programs are available.

Warranty

A limited warranty is provided with each OP-201 lubricator.

WearMaster Lubricants – Specially Designed for OPCO ChainMaster Lubrication

OPCO has a complete line of conveyor lubricants, for all conveyor applications, designed to keep your system running smoothly. Using the right lubricant for the application can save money otherwise lost to wear, increased power consumption and unscheduled downtime.

Recognized worldwide as lubrication systems specialists, we have years of experience in every aspect of conveyor lubrication - from equipment design, sales and installation to lubricant sales, systems service, consultation and custom problem-solving. As a result, we're familiar with your needs and concerns. We can supply you with the WearMaster lubricants that will provide the best results in your conveyor system.